



\$625
Model Shown

**LC8000-TALL Series
Compression**

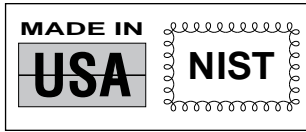
0-3,000 to 0-150,000 lb
0-12,000 to 0-600,000 N

1 Newton = 0.2248 lb
1 daNewton = 10 Newtons
1 lb = 454 g
1 t = 1000 kg = 2204 lb

- ☑ Low Profile
- ☑ All Stainless Steel Construction
- ☑ Rugged Industrial Design

SPECIFICATIONS:

Output: 2 mV/V nominal
Input: 10 Vdc (15V max)
Accuracy Class: 0.5% FSO
Linearity: ±0.5% FSO
Repeatability: ±0.1% FSO
Zero Balance: ±2.0% FSO
Operating Temp. Range:
-54 to +121°C (-65 to +250°F)
Compensated Temp. Range:
+16 to +71°C (+60 to +160°F)



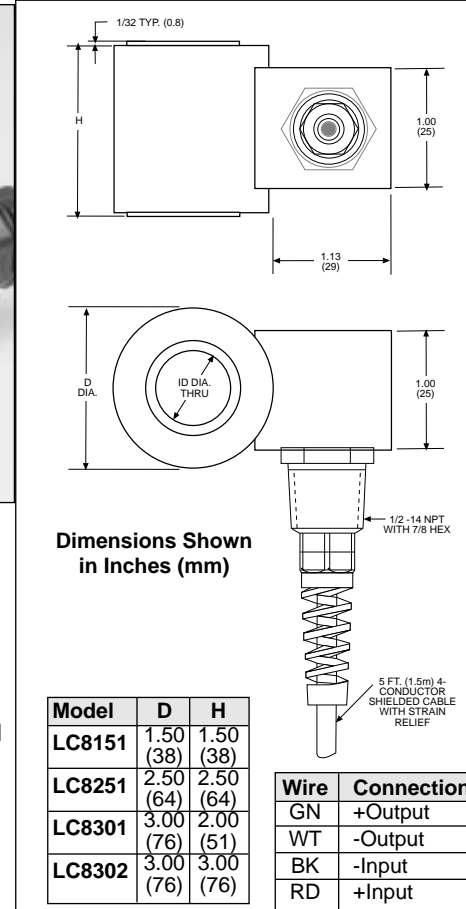
Interchangeable with
Series TH-DL11

SPEC SHEET
LC8000-TALL

**TALL THROUGH-HOLE
LOAD CELLS**
1.50-3.00" Diameter



MODEL LC8151-500-10K
Shown Smaller Than Actual Size



Thermal Effects: Zero: ±0.005% FSO/°F, Span: ±0.010% Rdg/°F
Safe Overload: 150 % of Capacity
Ultimate Overload: 300 % of Capacity
Input Resistance: 360 ohms minimum
Output Resistance: 350 ±5 ohms
Full Scale Deflection: 0.003" nominal
Construction: 17-4 PH Stainless Steel
Electrical: 5 ft (1.5m) 4-conductor shielded PVC cable

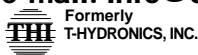
For Sales and Service
In U.S.A. and Canada

1-800-872-3963
1-800-USA-DYNE

International Customers Dial
(614) 965-9340
24-Hour FAX (614) 965-9438

OMEGADYNESM FAX
OMEGADYNE's 24-Hour
On-Line Publishing Service
1-800-344-3963
1-800-DIG-DYNE
Document # 3739

OMEGADYNE, Inc.
149 Stelzer Court, Sunbury, OH 43074
<http://www.omegadyne.com>
e-mail: info@omegadyne.com



© COPYRIGHT 1996 OMEGADYNE, INC. ALL RIGHTS RESERVED.

► Most Popular Models Highlighted ◀

Prices Shown in U.S. Dollars

To Order: (Specify Model Number)				
Model Number	Capacity (lb)	Price	I.D.	Compatible Meters
LC8151-500-3K	3,000	\$625	0.50	INFW, INFS, INFCS
LC8151-500-5K	5,000	625	0.50	INFW, INFS, INFCS
LC8151-500-10K	10,000	625	0.50	INFW, INFS, INFCS
LC8151-500-20K	20,000	625	0.50	INFW, INFS, INFCS
LC8151-750-10K	10,000	625	0.75	INFW, INFS, INFCS
LC8151-750-25K	25,000	625	0.75	INFW, INFS, INFCS
LC8151-750-50K	50,000	690	1.26	INFW, INFS, INFCS
LC8251-126-75K	75,000	690	1.26	INFW, INFS, INFCS
LC8251-126-100K	100,000	690	1.26	INFW, INFS, INFCS
LC8301-126-75K	75,000	690	1.26	INFW, INFS, INFCS
LC8301-126-100K	100,000	690	1.26	INFW, INFS, INFCS
LC8302-151-150K	150,000	950	1.51	INFW, INFS, INFCS

Interchangeable with Series TH-DL11

Metric Ranges Available-Consult Engineering.

Ordering Examples:

- 1.) LC8151-500-3K is a 3,000 lb capacity load cell with 1.50" Dia. and 0.50" I.D., \$625.
- 2.) LC8251-126-75K is a 75,000 lb capacity load cell with 2.50" Dia. and 1.26" I.D., \$690.
- 3.) LC8302-151-150K is a 150,000 lb capacity load cell with 3.00" Dia. and 1.51" I.D., \$950.

Printed On Recycled Paper

